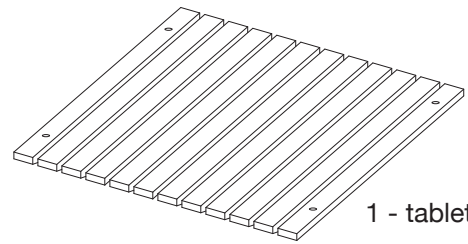
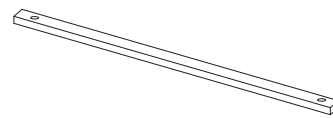


Thank you for purchasing the **Table In A Bag**. This page lists all the contents included in the box. Please take time to identify the hardware as well as the individual components of this product. As you unpack and prepare for assembly, place the contents on a carpeted or padded area to protect them from damage.

COMPONENTS



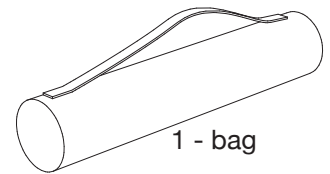
1 - tabletop



2 - crossbars

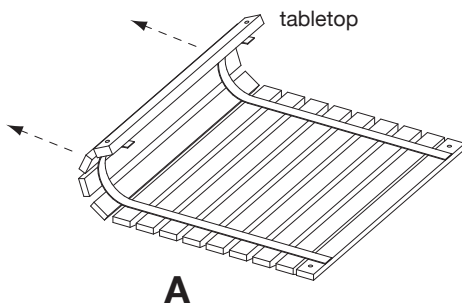


4 - legs

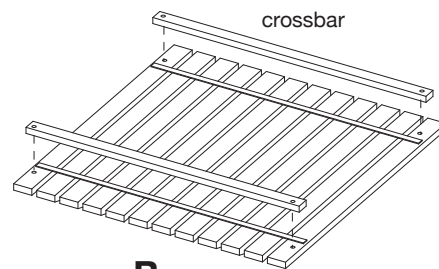


1 - bag

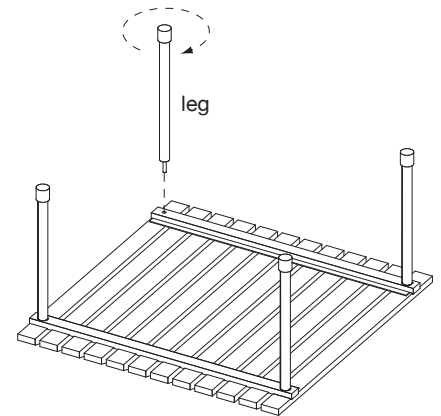
ASSEMBLY



A



B



C

A) Remove **tabletop** from **bag** and set **bag** aside. Unroll **tabletop** as shown.

B) Align holes of 2 **crossbars** with corresponding holes of **tabletop** as shown.

C) Insert 2 **legs** into each **crossbar** and through **tabletop** as shown. Turn each **leg** clockwise to secure. Position unit upright. Assembly is now complete.

CLEANING AND CARE

Clean surfaces with a dry or damp soft cloth. Do not use abrasive cleaners.