

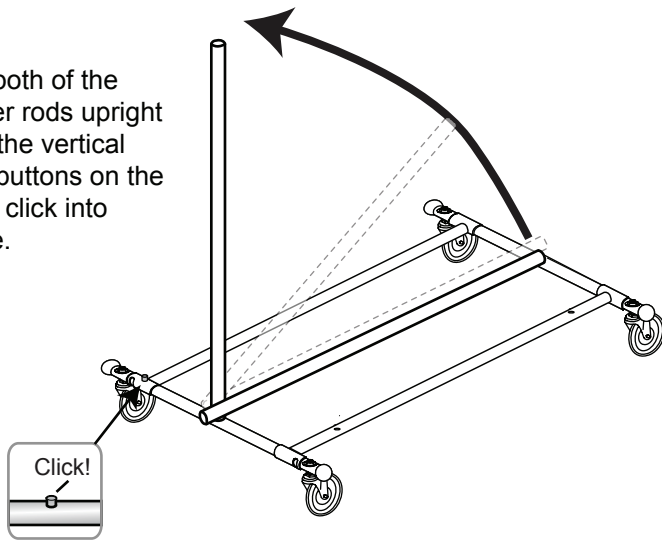
Instructions for Commercial Garment Rack #10017543 (9550)

WARNING

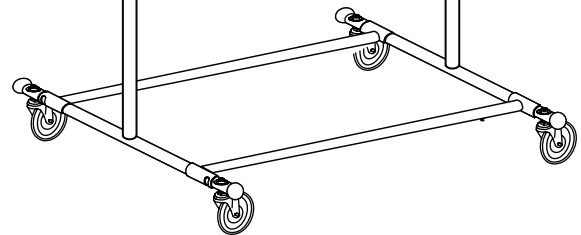
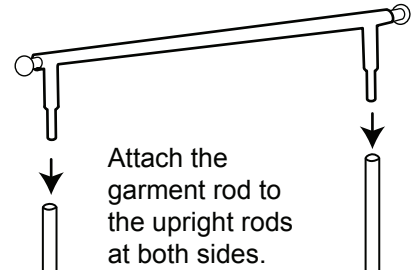
1. Please follow the step-by-step assembly instructions.
2. Keep top cross bar horizontal when in use.
3. Do not use rack for anything other than its intended use.
4. Do not allow children to hang from or ride on garment rack.
5. Keep away from heat sources such as heaters and fireplaces.
6. This product was designed for indoor use.
7. Do not overload one garment rack rod compared to the other. It is important to maintain some weight balance to prevent the rack from tipping. 120 lbs. maximum distributed evenly.

1

Pull both of the center rods upright until the vertical lock buttons on the base click into place.

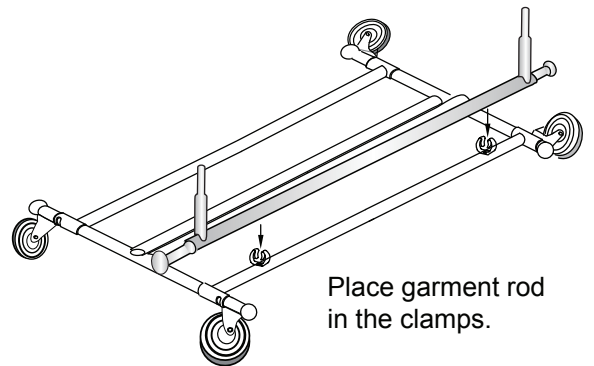


2



4

To Store: Remove the garment rod from the top vertical rods. Then push in the vertical lock buttons on the base to release the vertical rods and collapse (see step 1)



3

Using a screwdriver, secure the two clamps to the bottom cross support rod. Insert the screw, part B, through the clamp, part A and into the predrilled holes on the rod.

