

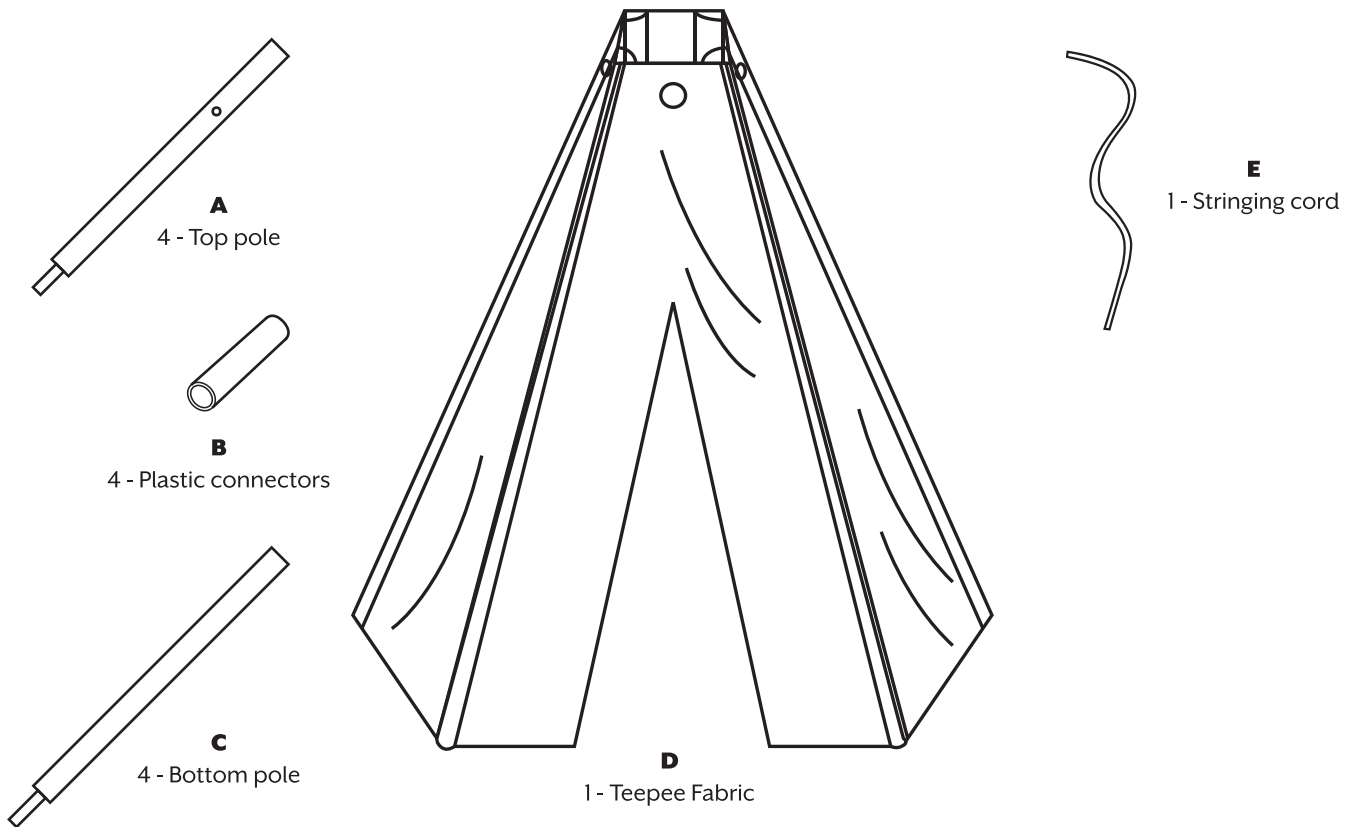
Thank you for purchasing A Teepee to Call Your Own. This page lists all the contents included in the box. Please take the time to identify the hardware as well as the individual components to the product. As you unpack and prepare for assembly, place the contents on a carpeted or padded area to protect them from damage.

Note: Small parts and sharp points may be present prior to assembly.



WARNING: Adult Assembly Required

Components:

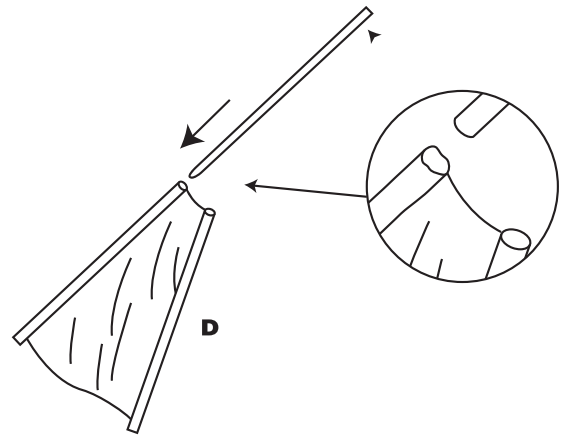


Step 1



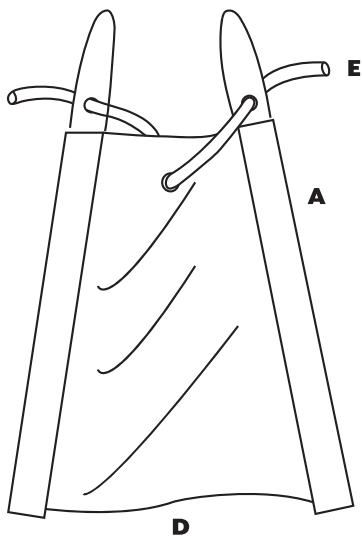
Insert the Top (A) and Bottom poles (C) into the Plastic Connectors (B).

Step 2



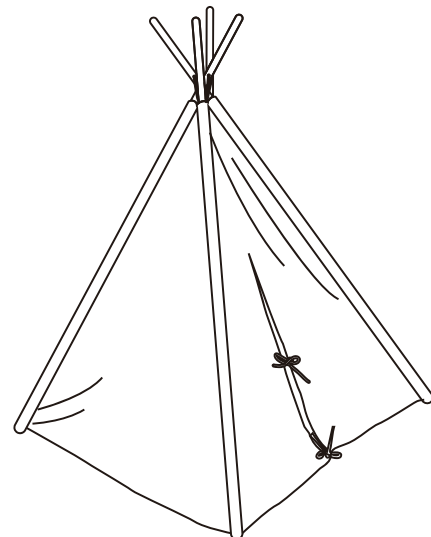
Insert the assembled poles into the channels on the corners of the Teepee fabric (D), making sure that the holes in the top of the poles are at the top of the teepee.

Step 3



Lace the Stringing cord (E) alternately through the holes in the Top poles (A) and the grommets in the teepee fabric (D) top. Tie the Stringing cord (E) together to secure poles.

Step 4



Spread the assembled teepee bottom corners out to the fullest extent. Your teepee assembly is now complete.



WARNING: KEEP AWAY FROM FIRE