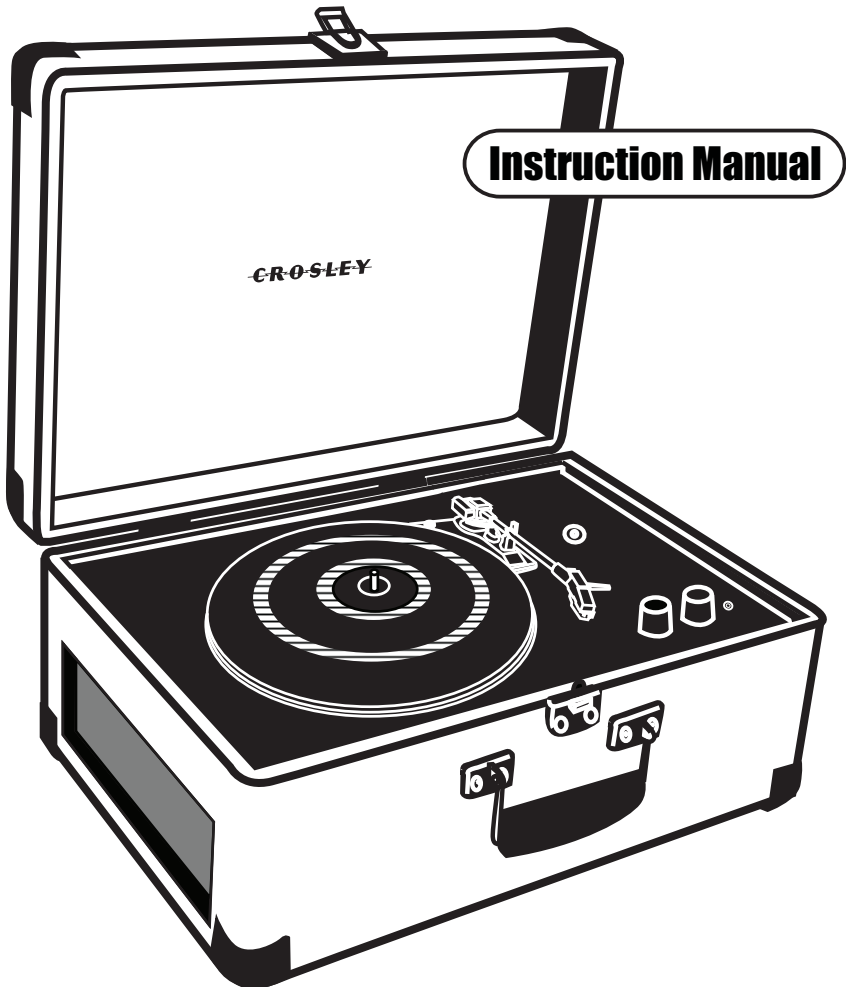


**CROSLEY**

**CR6249A**

**KEEPSAKE USB TURNTABLE**

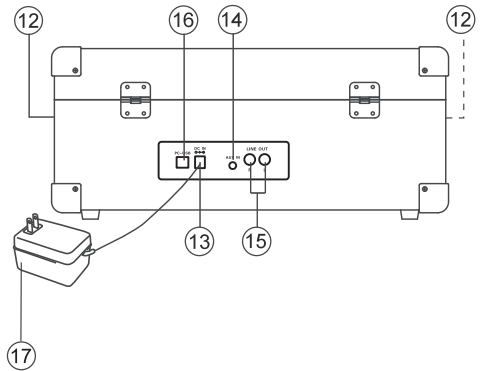
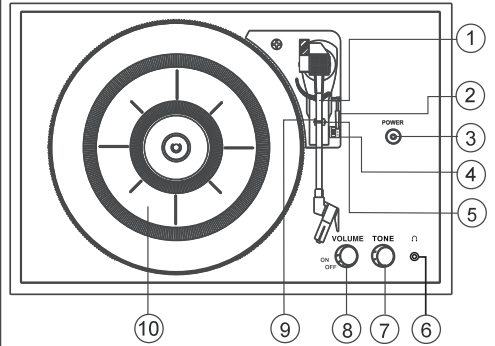


[www.crosleyradio.com](http://www.crosleyradio.com)

# Control Locators

## Unit Controls

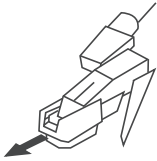
- 1 Tone Arm
- 2 Cue lever
- 3 Power light indicator
- 4 Speed Control Switch
- 5 Security Hook
- 6 Headphone Jack
- 7 Tone Control
- 8 ON/OFF Volume Knob
- 9 Tone Arm Rest
- 10 Turntable
- 11 Adapter for 45 RPM records
- 12 Speaker
- 13 Adapter Jack
- 14 Aux In Jack
- 15 Line Out jack
- 16 USB Jack
- 17 AC Adapter  
(Placed in a plastic bag inside the styrofoam packaging)



# Getting Started

## Unpacking

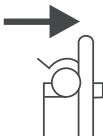
- 1 Remove packing materials form unit.  
Note: Save all packing materials.
- 2 Remove plastic bag covering unit.
- 3 Remove AC ADAPTER(17)form packing.
- 4 Remove tie from AC ADAPTER(17).
- 5 Open lid and remove styrofoam shipping material from TURNTABLE(10).
- 6 Remove black tie-wrap form under the TONE ARM (1).
- 7 Remove white protective needle cover by gently pulling towards the front of the unit.



- 8 Turn the TURNTABLE SUSPENSION SCREW clockwise until it is all the way down. Do not force or over tighten it . This allows the turntable to float on its shock absorbers.



- 9 Release tone arm HOLD DOWN CLIP (5) by gently pushing to the right. This will unlock TONE ARM (1) form its arm rest. Re-lock the HOLD DOWN CLIP (5) when moving the unit to another location.



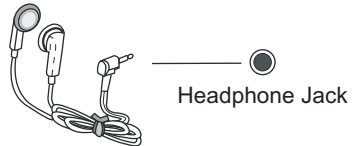
## Power Source

- 1 Unit the wire on the AC ADAPTER (17).
- 2 plug the AC ADAPTER (17) into appropriate wall outlet.
- 3 Plug the small end of the adapter into the ADAPTER JACK (13) on the back of the unit.

## Headphone Jack Operation

- 1 Connect headphone to the Headphone Jack (6).
- 2 Adjust volume to the desired listening level.

NOTE: When using headphone, the sound from the unit speakers will be cut off.



NOTE: Headphone not included with unit.

# Operation

## Turntable Operation

- 1 Set the SPEED CONTROL SWITCH (3) to the correct speed(33 1/3 , 45 or 78 rpm)
- 2 Place the record on the TURNTABLE(10)
- 3 Use the CUE LEVER(2) to raise the tone arm off its rest. Move the tone arm over the record and use the CUE LEVER(2) to lower it to the point from which you want the record to start.
- 4 Turn the VOLUME KNOB(8) to adjust the volume to the desired level.
- 5 Turn the TONE CONTROL((7)to adjust the tone level.
- 6 At the end of the record, the tone arm will return to its rest.

## USB Operation

Using the included software and cable, the USB connection allows you record your records onto your computer. Follow these instructions to use the USB.

- 1 Insert the enclosed software CD into your computer.
- 2 Follow the instructions on the computer screen to install the software. If the CD does not load automatically, browse the CD run the executable file called "CR-USB.exe."
- 3 Connect the square end of the USB cable to the USB JACK (16) on the right side of the turntable.
- 4 Connect the other end to a USB port on your computer.
- 5 On your computer, open the Record Recording Software.
- 6 For instruction on operating the Record Recording Software, browse the software CD and open the Manuals folder.

## Accessory: ADAPTER FOR 45RPM

This adapter allows you to play 45 RPM records.



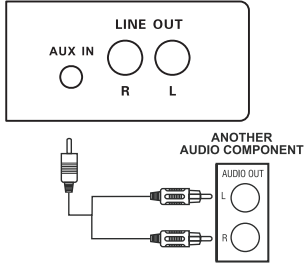
- 1 Place the 45 RPM ADAPTER(11) over the spindle.
- 2 Gently place your 45 RPM record onto the turntable.
- 3 Follow the steps under turntable operation to play your record.

# Operation

## Auxiliary Input

- 1 You can connect external components to your unit by using the Auxiliary Input.
- 2 Plug Auxiliary cable into the AUX IN JACK (14) on the back of the turntable.
- 3 Plug the other end of the Auxiliary cable into the output jack on your desired external component.
- 4 Check the volume level of your external component.
- 5 See operator manual for correct operation of the external component.

### Aux Input

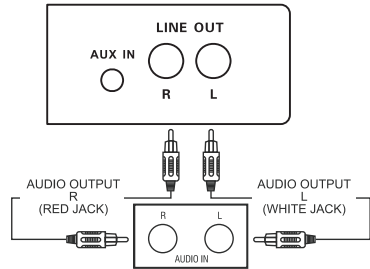


## Audio Output

- 1 You can run the audio from the unit into your home stereo, television or other stereo source by using the Audio Output.
- 2 To make this connection, you need a standard RCA cable(not include). Plug the red and white connectors on one end of the cable into the red and white LINE OUT JACK (15) on the back of the unit. The other end of the cable will plug into the Aux input jacks of your selected component.
- 3 Operate the unit as usual, you can hear the sound exported from the unit.

NOTE: you can still listen to your unit when using the Audio Output feature.

### Audio Output



## Troubleshooting

### The unit does not operate

- 1 The AC Power cord is not connected ,  
Make sure it is connected to an AC  
outlet at the back of the unit.
- 2 The unit is not turn on : rotate the  
VOLUME knob from the OFF  
position.

### Turntable

No sound is coming form unit.

- 1 The white protective needle cover was  
not removed.
- 2 The volume is not turned unit.

### Tone arm will not move

- 1 Block tie-wrap was not removed from  
underneath tone arm.
- 2 Tone arm hold down clip was not  
released.